

# INSTRUCTION MANUAL



**KEPCO** An ISO 9001 Company.

**KIT  
DIN RTW-300L**

## DIN-RAIL MOUNTING KIT FOR SERIES RTW 300W

**DESCRIPTION.** Kepco Kit, Model DIN RTW-300L contains a preassembled mounting plate and associated hardware used to install RTW 300 Watt Series power supplies with factory-installed cover (-KC models) on a DIN rail. The "L" suffix is for mounting along the long dimension (length) as shown in Figure 1. Outline dimensions are shown in Figure 4.

### INSTALLATION.

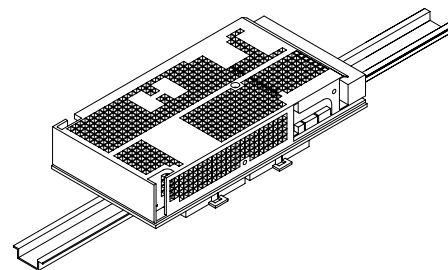
**1. INSTALLING KIT.** Attach the preassembled mounting plate to the power supply using the hardware supplied (see Figure 3).

**2. INSTALLING POWER SUPPLY ON DIN RAIL.** To mount the power supply on the rail insert one end of both clips under one edge of the rail, then snap the other end of the clips into place (see Figure 2A).

**NOTE:** For applications where the installed power supply may be subject to unusual levels of shock or vibration, or where the power supply is oriented such that it may slide down the rail due to gravity, the use of two DIN rail end stops (Kepco P/N 108-0367) is recommended. After installing the power supply on the rail, the end stops are installed by clearing the DIN rail of other components and sliding the end stops over the rail. When the end stops are secure against the power supply, tighten the two integral screws of each end stop.

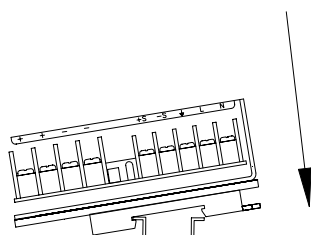
**3. WIRE POWER SUPPLY.** Refer to RTW 300W manual.

**REMOVING POWER SUPPLY FROM DIN RAIL.** While grasping the power supply with one hand, use a screwdriver to apply leverage towards the left as shown in Figure 3B to disengage both clips from the rail.



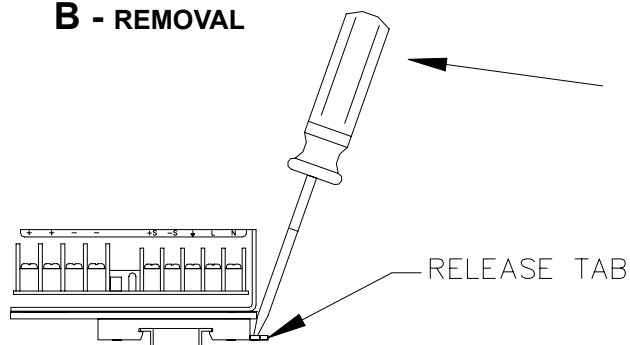
**FIGURE 1. L SUFFIX ORIENTATION**

### A - INSTALLATION



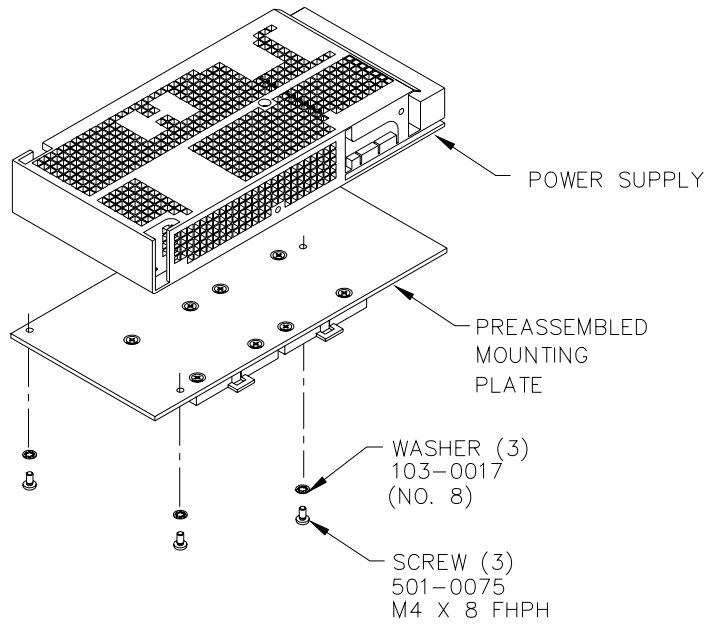
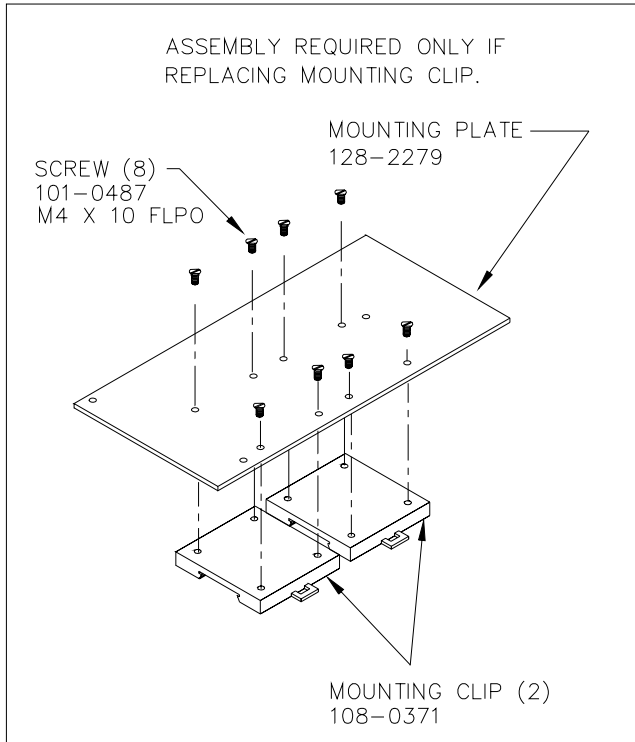
3043106

### B - REMOVAL



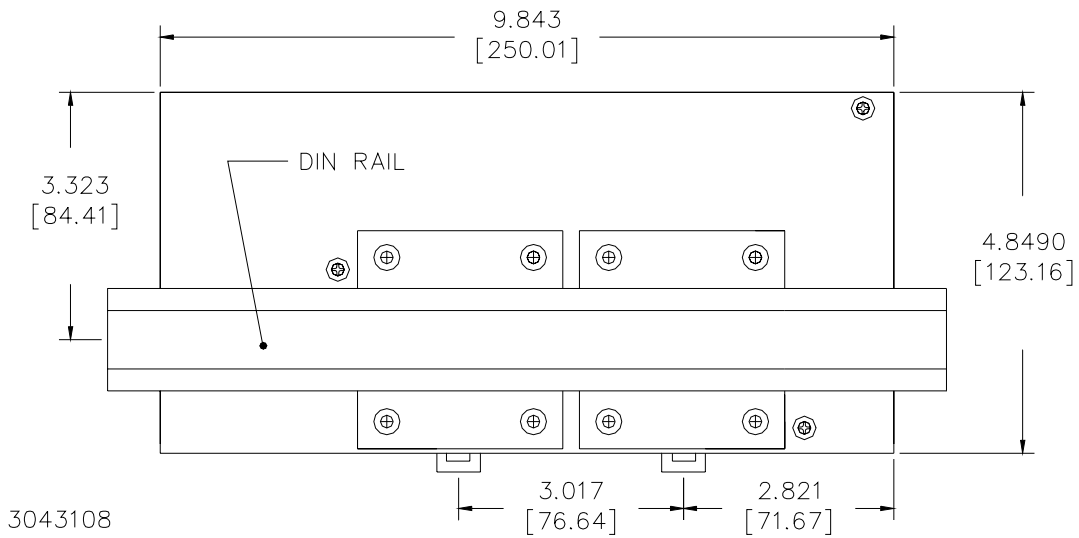
**FIGURE 2. INSTALLATION AND REMOVAL OF POWER SUPPLY FROM DIN RAIL**

KEPCO, INC. ● 131-38 SANFORD AVENUE ● FLUSHING, NY. 11352 U.S.A. ● TEL (718) 461-7000 ● FAX (718) 767-1102  
<http://www.kepcopower.com> ● email: [hq@kepcopower.com](mailto:hq@kepcopower.com)



3043107

**FIGURE 3. INSTALLATION OF KIT ON RTW 300W POWER SUPPLY**



**FIGURE 4. RTW 300W POWER SUPPLY WITH KIT INSTALLED, OUTLINE DIMENSIONS**